

锰锌氧铁材料规格尺寸 Specification and Dimensions of MnZn Ferrite Material

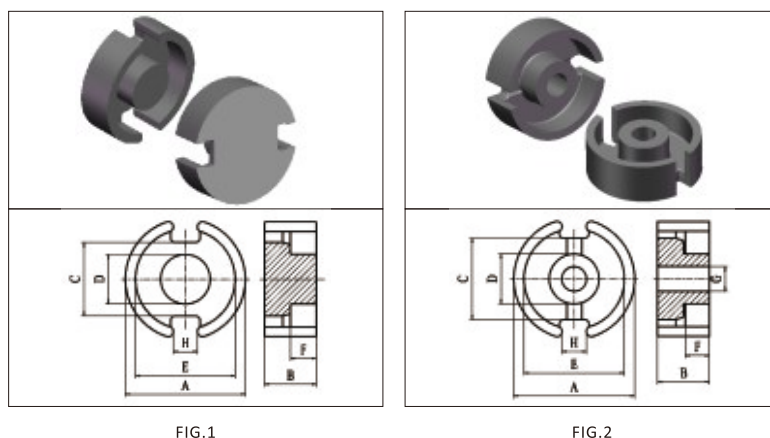


FIG.1

FIG.2

P 型 / P Core

型号 TYPE	图例 FIG.	尺寸 Dimensions (mm)							
		A	B	C	D	E	F	G	H
P7.3/4.1C	6	7.35±0.15/-0.2	2.1+0.04/-0.1		3+0.05/-0.1	5.65min	1.35min	1min	1.45min
P7/7.7	1	7.35±0.15/-0.2	3.85±0.1		3±0.1	5.65min	3±0.1		1.45min
P9/5B	1	9.15±0.15	2.65±0.1	5.65±0.15	3.8±0.1	7.5min	1.8min		2.1±0.3
P11/7C	1	11.1±0.2	3.3±0.1	6.8±0.25	4.6±0.1	9.2±0.2	2.3±0.15		2.2±0.3
P14/8	2	14.0±0.3	4.2±0.2		5.9±0.2	11.8±0.4	3.1±0.2	2.9±0.3	3.3±0.6
P18/11	1	18.4+0/-0.8	5.35±0.15		7.6+0/-0.3	14.9min	3.6+0.4/-0		
P21.6/13.4	2	21.59±0.41	6.71±0.13	14.99±0.41	13.51±0.2	18.29±0.38	4.83±0.15	9.53±0.2	5.02±0.41
P21.6/13.4B	2	21.6±0.4	6.7±0.1	14.9±1.6	9.25±0.15	18.2±0.4	4.7±0.15	4.55±0.15	3.7±0.7
P21.6/8.2/15.2	3	21.6±0.4	4.1±0.25	15.2±0.25	9.4±0.2	17.5±0.3	2.35±0.15		
P21.7/9.7	3	22+0/-0.7	4.8±0.1	16.83±0.4	9.1±0.3	18.3±0.3	2.9+0.2/-0.1		
P23/11A	3	22.7±0.45	5.53±0.15	15.24±0.2	9.7±0.2	18.3±0.4	3.85±0.2		
P23/18F	3	23.3+0/-0.9	9.15±0.1	15.25±0.35	9.9+0/-0.4	18min	7+0.3/-0		
P25.3/10/15.2	3	25.3±0.71	5±0.05	15.2±0.3	8.89+0.15/-0.31	22.4+0.38/-0.36	3.22±0.05	16.99±0.3	1.78±0.13
P26/16D	2	25.5±0.5	8.05±0.1	17.2±0.5	11.1±0.3	21.6±0.4	5.65±0.15	5.4±0.25	4.15±0.5
P30/12.8A	3	30±0.5	6.4±0.1	20.3±0.25	12.4±0.2	24.6±0.5	3.7±0.15	16.8min	
P30/16.1/20.3A	3	30±0.5	8.05±0.15	20.3±0.3	13.3±0.2	24.6min	5.25±0.15		
P30/18.8/20.3B	4	30±0.5	9.4±0.2	20.25±0.35	13.3±0.2	24.6min	6.6±0.2	17.5min	
P30/19AE	3	30±0.4	9.5±0.1	20.3±0.25	12.4±0.2	24.6±0.4	6.6+0.15/-0.1	16.8min	2.9±0.15
P30/19AK	2	30±0.5	9.4±0.2		13.3±0.2	24.5min	6.65±0.25		
P30/19AT	3	30±0.5	9.4±0.2	20.25±0.35	13.2±0.2	25min	6.6±0.2	17.6min	
P30/19Y	3	30.0±0.5	9.4±0.2	20.25±0.35	13.2±0.2	24.6min	6.6±0.2		

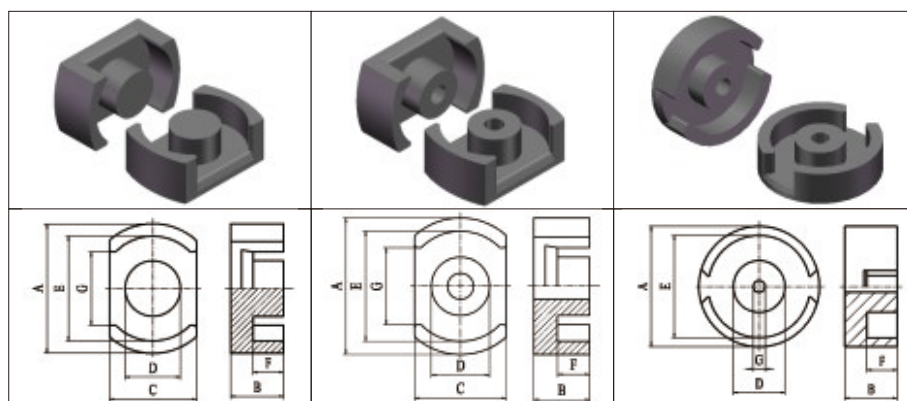


FIG.3

FIG.4

FIG.6

P 型 / P Core

型号 TYPE	图例 FIG.	参数 Parameters				AL(Ref)*		重量(Ref) g /PRS
		C1	Ae	Le	Ve	TP4A	TPW33	
P7.3/4.1C	6	1.40	7.05	9.84	69.40	650	730	0.52
P7/7.7	6	1.97	7.78	15.36	6.28	700	900	0.45
P9/5B	1	1.20	11.23	13.50	151.60	890	1000	0.90
P11/7C	1	0.95	17.25	16.45	283.80	1300	1500	1.47
P14/8	2	0.79	25.10	19.80	495.00	1600	1900	2.60
P18/11	1	0.60	43.30	25.80	1120.00	2500	3000	5.81
P21.6/13.4	2	0.40	71.27	28.73	2047.80	4700	5700	11.00
P21.6/13.4B	2	0.48	64.80	31.20	2000.00	3200	3800	12.60
P21.6/8.2/15.2	3	0.38	64.28	24.60	1581.20	4400	5200	5.60
P21.7/9.7	3	0.40	64.5	26.03	55.75	4500	5700	10.1
P23/11A	3	0.45	68.80	31.20	2144.00	3900	4700	11.13
P23/18F	3	0.59	74.29	43.50	3231.60	3300	4100	16.77
P25.3/10/15.2	3	0.64	49.91	32.06	1600.20	2940	3580	16.80
P26/16D	2	0.44	86.67	38.16	3307.10	4000	5000	21.50
P30/12.8A	3	0.31	120.76	37.17	4488.40	6300	7700	23.29
P30/16.1/20.3A	3	0.34	126.64	43.20	5470.50	5500	6800	28.39
P30/18.8/20.3B	4	0.38	127.80	48.10	6147.30	5100	6500	31.90
P30/19AE	3	0.39	125.46	48.34	6065.10	5300	6700	31.47
P30/19AK	2	0.35	128.32	44.89	5758.70	5600	6900	29.88
P30/19AT	3	0.39	122.80	48.37	5940.30	4700	5900	30.83
P30/19Y	3	0.38	127.01	48.17	6118.20	5100	6400	31.75

*-Al为磁心对应参考值,具体规格以双方签订承诺书为准; AL测试条件:1kHz 0.3V 10Ts; AL单位:nH/N2

*-图例仅展示产品形状,具体细节以实物或以双方签订承诺书为准。

锰锌氧铁材料规格尺寸 Specification and Dimensions of MnZn Ferrite Material

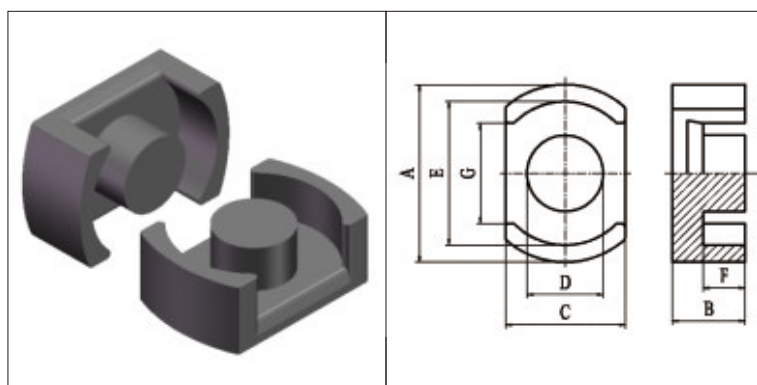


FIG.3

P 型 / P Core

型号 TYPE	图例 FIG.	尺寸 Dimensions (mm)							
		A	B	C	D	E	F	G	H
P30/9.8A	3	30±0.5	4.9±0.1	20.25±0.35	13.3±0.2	24.6min	2.1±0.2		
P30/14.7/20.3C	3	30±0.5	7.35±0.125	20.3±0.3	13.3±0.25	25.4±0.4	4.55±0.15	19±0.4	
P30/12.3/20.3B	3	30±0.5	6.15±0.15	20.3±0.3	13.3±0.25	25.4±0.4	3.35±0.15	18.2min	
P30.4/19.4/20.3	3	30.4±0.6	9.7±0.25	20.3±0.3	13.3±0.3	24.8min	6.6±0.25		
P31.5/12.6/20.4	3	31.5±0.5	6.3±0.15	20.4±0.3	13.2±0.2	26min	3.8±0.2	19min	2.5±0.15
P33.2/18.9/23.7C	3	33.2±0.5	9.45±0.1	23.7±0.3	13.5±0.2	26.6±0.4	6.45+0.2/-0.1	19.5±0.5	
P33.2/19E	3	33.2±0.5	9.4±0.15	23.7±0.3	13.5±0.2	26.6±0.4	6.7±0.15	18.35±0.4	
P33.3/18A	3	33.3±0.4	9.2±0.1	24±0.3	13.8±0.2	26.8±0.4	6.2±0.1	17.2min	3±0.15
P33.5/12.6/24A	3	33.5±0.4	6.3±0.2	24±0.3	13.8±0.25	26.8min	3.55±0.2	17.2min	
P33.5/12S	3	33.5±0.4	6.1±0.2	24±0.3	13.85±0.25	27.2min	3.35±0.2		
P33.5/13.1/24	3	33.5±0.4	9.5±0.15	24±0.3	13.85±0.25	26.7min	6.5±0.15		
P33.5/13.3/24A	3	33.5±0.4	9.7±0.2	24±0.3	13.85±0.25	26.5min	6.75±0.25	17.2min	
P33.5/13.6A	3	33.5±0.4	6.8±0.2	24±0.3	13.8±0.2	26.8min	3.9±0.2		
P33.5/13.9/24B	3	33.5±0.4	6.95±0.2	24±0.3	13.8±0.1/-0.2	27.5±0.4	3.95±0.2	18.2min	
P33.5/13/24A	3	33.5±0.3/-0.5	6.5±0.1	24±0.3	13.85±0.25	26.8min		17min	
P33.5/14C	3	33.5±0.4	7.15±0.2	24±0.3	13.8±0.2	26.8min	4.15±0.2	17.2min	
P33.5/16.2/24A	3	33.5±0.3	8.1±0.2	24±0.3	13.85±0.25	26.8min	5.1±0.2	18.5min	
P33.5/19/24B	4	33.5±0.4	9.5±0.15	24±0.3	13.8±0.25	26.7min	6.5±0.15		
P33.5/19L	3	33.5±0.4	9.7±0.2	24.0±0.3	13.8±0.2	26.8min	6.7±0.25	17.2min	
P33.5/19S	3	33.5±0.4	9.7±0.1	24.0±0.3	13.8±0.2	26.8min	6.7±0.2/-0.1	17.3min	3.1±0.1
P33.5/25D	3	33.5±0.3/-0.5	12.5±0.1	24.0±0.3	13.85±0.25	27±0.3/-0.5	9.5±0.1	17min	

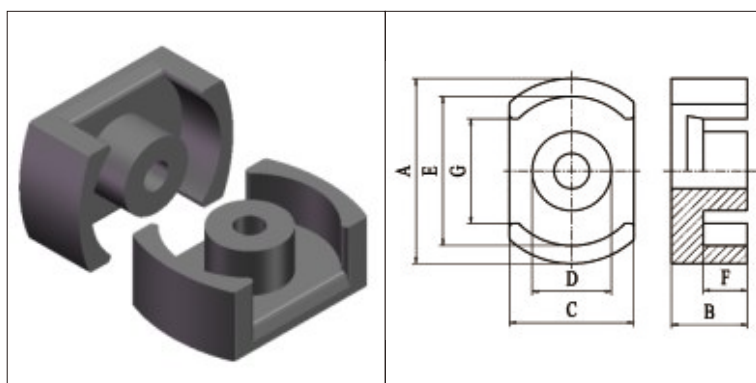


FIG.4

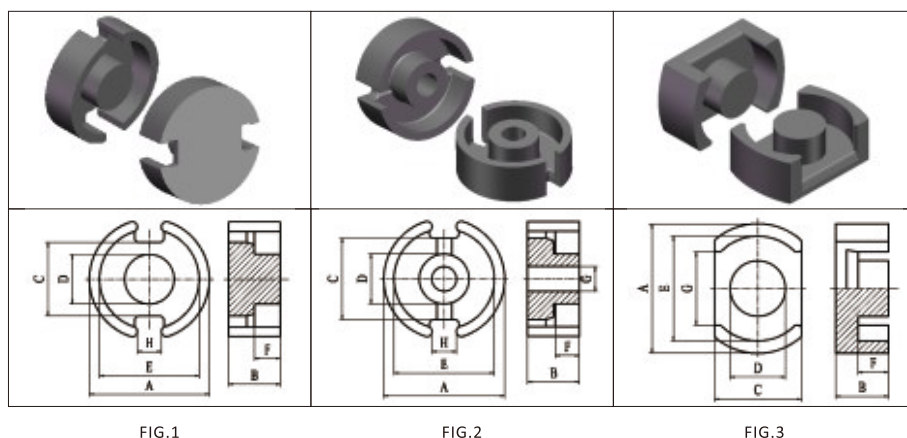
P 型 / P Core

型号 TYPE	图例 FIG.	参数 Parameters				AL(Ref)*		重量(Ref) g / PRS
		C1	Ae	Le	Ve	TP4A	TPW33	
P30/9.8A	3	0.25	126.07	31.77	4005.50	6900	8400	20.00
P30/14.7/20.3C	3	0.33	117.00	37.30	4364.10	5850	7210	25.28
P30/12.3/20.3B	3	0.31	117.00	35.70	4176.90	6720	8250	41.74
P30.4/19.4/20.3	3	0.37	133.74	49.10	6567.00	5200	6500	34.08
P31.5/12.6/20.4	3	0.33	116.61	38.16	4449.50	6200	7600	23.09
P33.2/18.9/23.7C	3	0.32	154.72	48.85	7557.50	6100	7700	39.22
P33.2/19E	3	0.33	148.56	48.82	7252.70	5900	7400	37.64
P33.3/18A	3	0.30	160.12	48.07	7697.00	6500	8100	39.94
P33.5/12.6/24A	3	0.26	149.45	38.23	5714.10	7300	9000	29.65
P33.5/12S	3	0.26	146.89	38.00	5582.00	7300	9100	28.97
P33.5/13.1/24	3	0.23	167.24	38.28	6401.40	8000	9900	33.22
P33.5/13.3/24A	3	0.25	158.84	38.93	6184.00	7500	9300	30.00
P33.5/13.6A	3	0.26	153.86	40.04	6161.00	7300	9000	31.97
P33.5/13.9/24B	3	0.26	154.97	40.74	6312.90	7200	9000	32.76
P33.5/13/24A	3	0.25	157.34	38.76	6097.90	7600	9400	31.65
P33.5/14C	3	0.26	157.49	41.08	6469.80	7200	9000	33.58
P33.5/16.2/24A	3	0.28	158.56	44.51	7057.70	6900	8600	36.63
P33.5/19/24B	4	0.32	158.67	50.37	139.82	7100	8900	20.5
P33.5/19L	3	0.39	150.25	57.80	8684.93	6000	7700	45.07
P33.5/19S	3	0.32	158.67	50.37	7992.70	6200	7800	41.48
P33.5/25D	3	0.37	167.29	61.08	10218.60	5600	7200	53.03

*-Al为磁心对应参考值,具体规格以双方签订承诺书为准; AL测试条件:1kHz 0.3V 10Ts; AL单位:nH/N2

*-图例仅展示产品形状,具体细节以实物或以双方签订承诺书为准。

锰锌氧铁材料规格尺寸 Specification and Dimensions of MnZn Ferrite Material



P 型 / P Core

型号 TYPE	图例 FIG.	尺寸 Dimensions (mm)							
		A	B	C	D	E	F	G	H
P33.5/28/24A	3	33.5±0.5	14±0.1	24±0.45	13.7±0.25	26.8min	11±0.15	17min	
P35/22C	2	35.6±0.6	10.9±0.2	26.2±0.6	15.9±0.3	29.5min	7.6±0.3	5.45±0.25	5.15±0.4
P36/22G	2	36+0/-1	10.7+0.4/-0	26.2±1	16+0/-1	29.5+1.8/-0	7.8+0.3/-0	5.4±0.4	5+0.6/-0.4
P36/22A	2	36.2+0/-1.2	10.9±0.2	26.2±0.6	16.2+0/-0.6	29.8min	7.55±0.25		
P39.6/43/28.3	4	39.55±0.6	21.5±0.1	28.3±0.35	16±0.25	33±0.6	17.9±0.15		
P39.8/13/28.3	3	39.8±0.7	6.5±0.2	28.3±0.35	16±0.25	33.2±0.7	3.5±0.2		
P39.8/15/28.3	3	39.8±0.5	7.5±0.15	28.3±0.35	16±0.25	33.2±0.5	4.55±0.2	21.8min	3.3±0.15
P39.8/25.2/28.3	3	39.8±0.7	12.6±0.15	28.3±0.4	16±0.3	33.3±0.7	9.05±0.2		
P40/13D	3	39.8±0.5	6.75±0.1	28.3±0.35	16±0.35	33.2±0.5	4.35±0.15	20min	
P40/17.8	3	39.8±0.5	8.9±0.1	28.3±0.35	16±0.25	33.2±0.5	5.9±0.15	20min	3.3±0.2
P40/20N	5	40±0.9	10±0.15		20±0.4	36±0.6		5±0.15	
P40/21B	3	39.8±0.7	10.3±0.2	28.3±0.5	16±0.25	32.7min	6.6±0.2	20.0min	
P40/22.2/28.4	3	39.8+0.7/-0.4	13.45±0.1	28.3+0.5/-0.4	16±0.3	33min	9.85±0.15		
P40/13G	3	40±0.5	6.6±0.2	28.3±0.35	16±0.25	33±0.5	3.6±0.2		
P40/25A	3	40.0±0.5	12.7±0.15	28.3±0.4	16.0±0.3	33.3±0.5	9.15±0.2		
P40/26A	3	40.0±0.5	13.2±0.2	28.3±0.4	16.0±0.3	33.3±0.5	9.7±0.2		
P40/27	3	40.0±0.5	13.5±0.2	28.3±0.4	16.0±0.3	33.3±0.5	9.9±0.2		
P40/25F	3	40.3±0.6	12.7±0.15	28.4±0.4	16.1±0.3	33.3min	9.15±0.2	20.5min	
P51/35A	5	50.8±1	17.8+0/-0.5	39±1	33±1	43.2+1/-0.5	14.5±0.5	25.5+0.2/-0.3	
P52/18.5B	6	52±0.8	9.25±0.2		18.2±0.35	45.8±0.7	5.25±0.25		
P55.9/10.2	1	55.88±0.2	5.12±0.1		40.64±0.2	51.91±0.35			

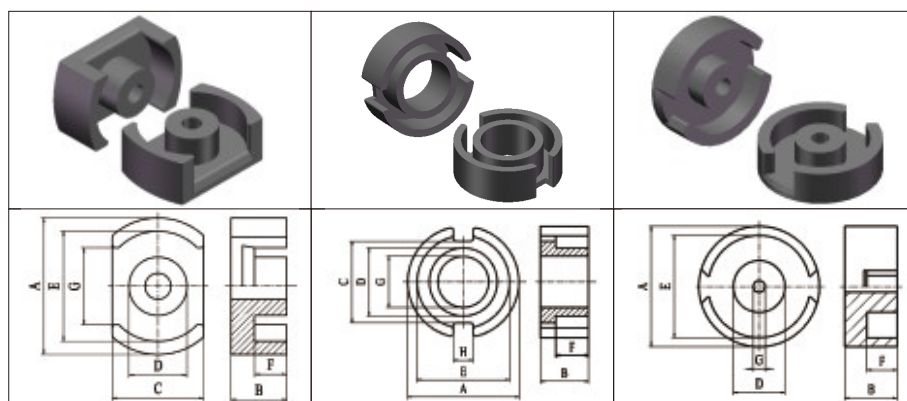


FIG.4

FIG.5

FIG.6

P 型 / P Core

型号 TYPE	图例 FIG.	参数 Parameters				AL(Ref)*		重量(Ref) g /PRS
		C1	Ae	Le	Ve	TP4A	TPW33	
P33.5/28/24A	3	0.42	160.15	66.58	10662.80	5000	6500	55.33
P35/22C	2	0.28	186.66	53.00	9892.40	7100	8900	51.34
P36/22G	2	0.31	173.81	54.00	9385.20	6100	7700	48.70
P36/22A	2	0.27	190.67	52.06	9925.50	7300	9200	51.51
P39.6/43/28.3	4	0.46	212.9	98.7	191.0	5500	6900	105.4
P39.8/13/28.3	3	0.23	187.46	43.22	8101.30	8800	11000	42.04
P39.8/15/28.3	3	0.25	187.00	47.00	8749.00	8200	10300	45.40
P39.8/25.2/28.3	3	0.31	209.32	65.24	13655.00	6900	8900	70.86
P40/13D	3	0.27	161.45	43.55	7030.80	8000	10000	36.49
P40/17.8	3	0.27	191.02	51.78	9891.80	7700	9700	51.33
P40/20N	5	0.20	216.8	43.2	205.1	10800	13500	28.3
P40/21B	3	0.27	211.71	56.62	11987.70	7900	10000	62.21
P40/22.2/28.4	3	0.28	209.67	59.70	12517.50	7500	9500	64.96
P40/13G	3	0.23	189.55	43.27	8201.30	8800	10900	42.56
P40/25A	3	0.31	210.69	65.52	13803.60	6900	8800	71.63
P40/26A	3	0.32	209.70	67.40	14137.70	6700	8600	73.37
P40/27	3	0.39	198.38	77.69	15411.75	6300	8100	79.98
P40/25F	3	0.31	209.25	66.15	13841.70	6900	8900	71.83
P51/35A	5	0.22	353.68	76.28	26976.90	10200	13100	140.00
P52/18.5B	6	0.39	256.9	99.74	25623.2	6600	8300	125.5
P55.9/10.2	1	0.09	258.59	23.12	165.81	19000	23800	21.55

*-Al为磁心对应参考值,具体规格以双方签订承诺书为准; AL测试条件:1kHz 0.3V 10Ts; AL单位:nH/N2

*-图例仅展示产品形状,具体细节以实物或以双方签订承诺书为准。